

## XT Series Precision Electric Actuators

### 1200XT & 2500XT



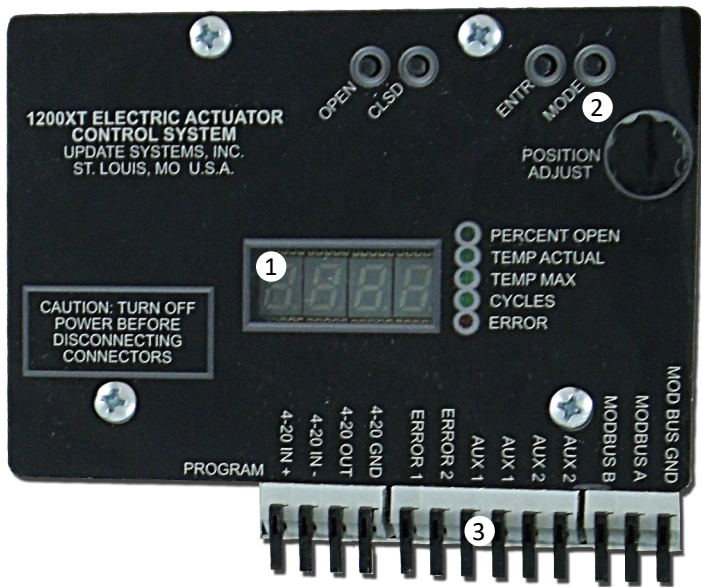
- Intelligent actuator designed for precise control of quarter turn valves and dampers.
- Proportionally positions valves to within 0.5 degrees accuracy using a closed loop stepper motor driven technology.
- Robust design that is well suited for 100% modulation and 100% duty cycle.
- Output shaft speed is programmable
- Electronic power backup option will power the actuator to the pre-programmed safe position upon power loss.
- UL Certified Assembly with NEMA 4X Rating



Update Systems  
St. Louis, MO USA  
(314) 432-3282  
[www.update-systems.com](http://www.update-systems.com)  
[sales@update-systems.com](mailto:sales@update-systems.com)



**Made in USA**



## Standard Operational Features:

- 2 models available: 1200, or 2500 inch/pounds torque.
- Easy electronic setup of end points.
- Bright LED display can show Actual/Max temperature, Number of cycles, and Percent Open.<sup>1</sup>
- 3 Relay outputs: Open Position, Closed Position, and Error Condition.
- Maximum temperature is permanently stored in memory.
- Safe position for Loss of Signal or Power is programmable.
- Speed is programmable.
- Clockwise or counter-clockwise programmable direction
- UL/CUL & CE Approved.
- Buttons/Rotary encoder for easy input.<sup>2</sup>
- Clamping terminal blocks for secure connection.<sup>3</sup>

## Standard Functional Features:

- No mechanical switches or contacts to wear out
- Non-contact position sensing increases reliability
- -30 to 60°C Operating Temperature
- Position feedback uses 4-20mA signal
- 100% Continuous Duty Cycle
- 100% Modulation
- .3 Degree Modbus accuracy
- .5 Degree 4-20 mA accuracy
- Enclosure cover with captive screws
- Heavy duty aluminum NEMA4 enclosure
- Robust drivetrain permanently lubricated
- Can exceed 6000 starts per hour



## Base Models



## Models With Modules



## Ordering Information

□ □ □ □ **XT - PS** □ □ □ - □ □ □ □ □ □ □ □

### Actuator Model

- 1200** - 1200 in/lbs torque
- 2500** - 2500 in/lbs torque
- 5000** - 5000 in/lbs torque

### Input Power

- 024** - 24VDC Input Power
- 048** - 48VDC Input Power (Standard)
- 120** - 120 VAC Input Power

### Backup Options

- BLANK** - Standard; No Backup
- EPB200** - Emergency Backup Unit to return valve to safety position during power failure

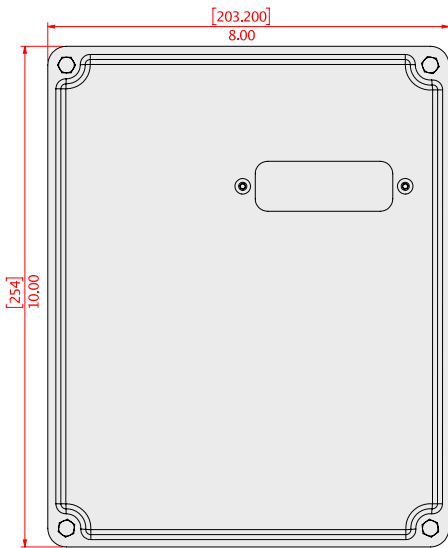
To place an order or for any questions please contact:

[sales@update-systems.com](mailto:sales@update-systems.com)

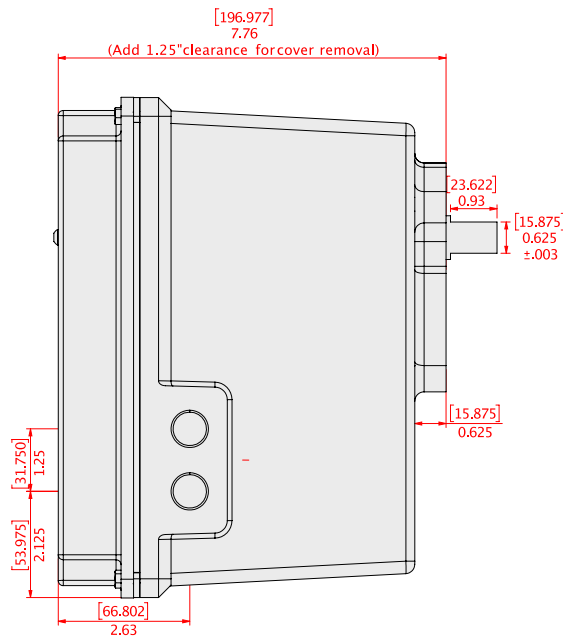
## XT Series Precision Electric Actuators

Model	Torque In-Lbs	Standard Speed To Rotate 90°	Programmable Speed Range
1200XT	1200	7 Seconds	7 to 30 seconds
2500XT	2500	12 Seconds	12 to 54 seconds

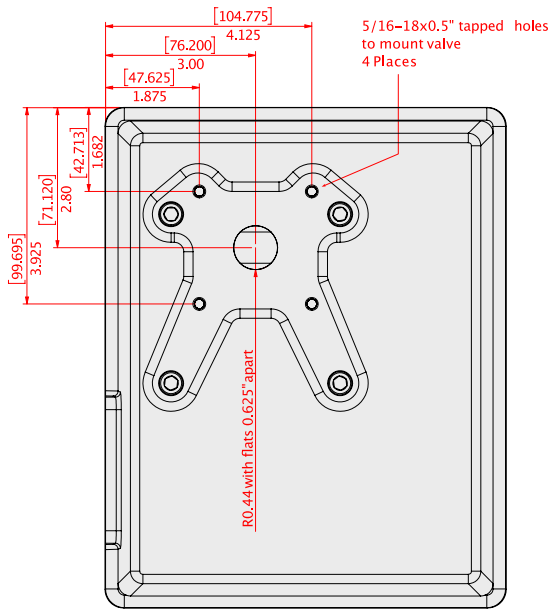
Front



Side



Rear



Update Systems  
 St. Louis, MO USA  
 (314) 432-3282  
[www.update-systems.com](http://www.update-systems.com)  
[sales@update-systems.com](mailto:sales@update-systems.com)



**Made in USA**